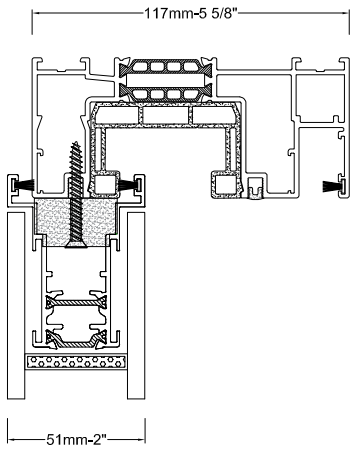
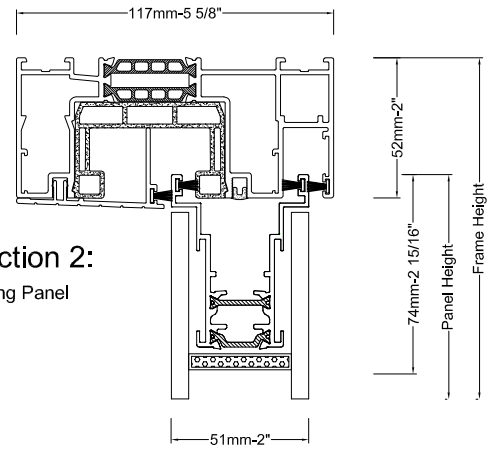


GG65 - Dual Sided GlassEdge 2 Panel Sliding Door System

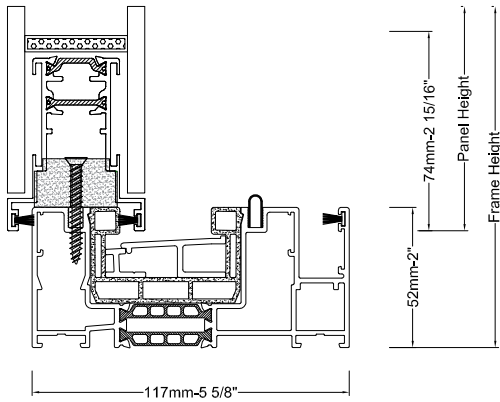
General Arrangement Drawings



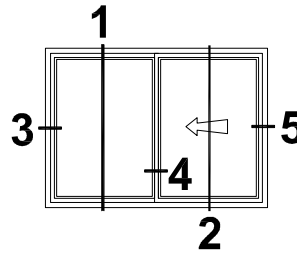
Section 1:
Fixed Panel



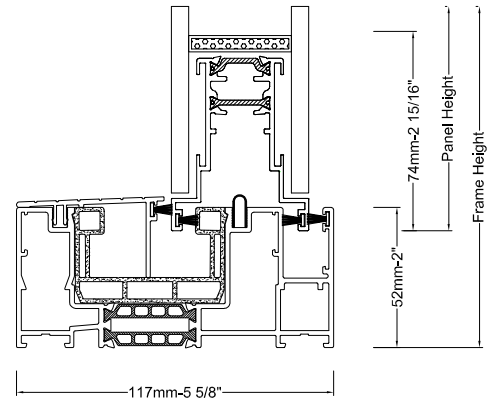
Section 2:
Sliding Panel



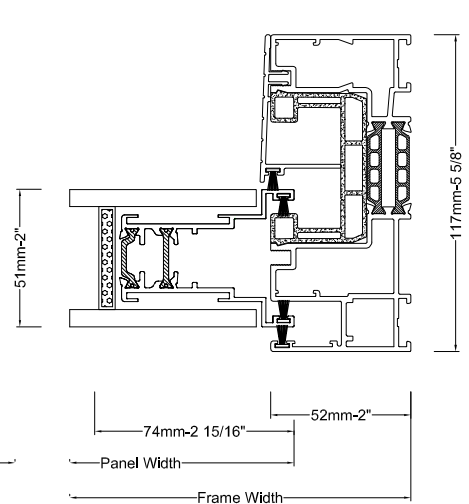
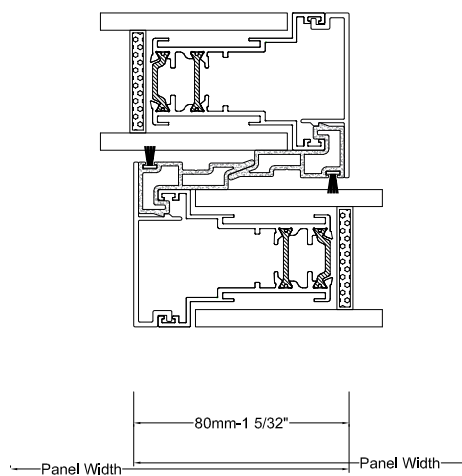
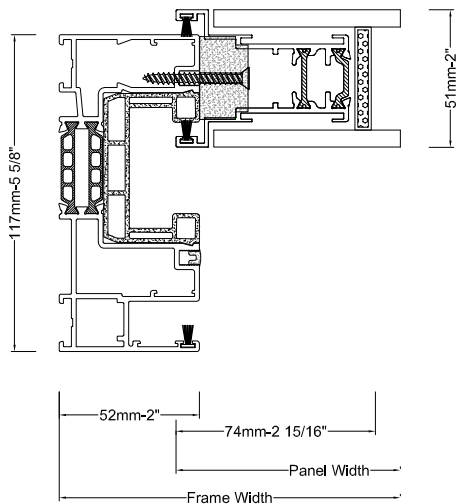
Section 3:
Jamb with Fixed Panel



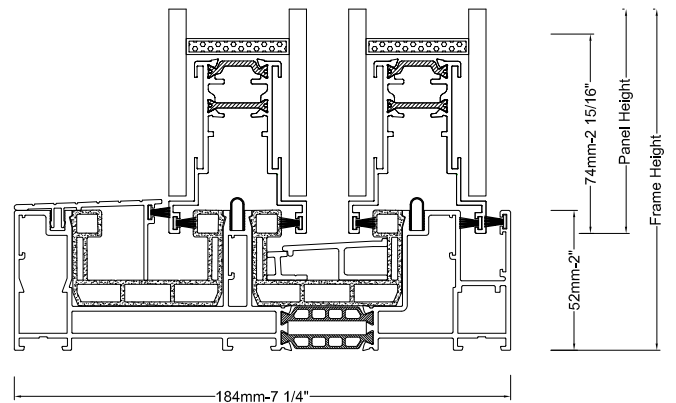
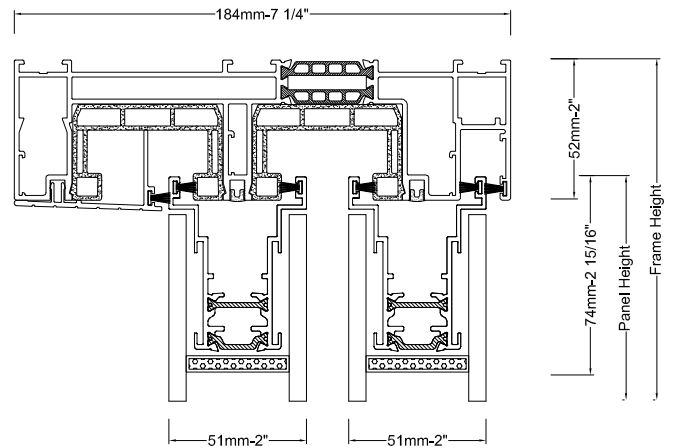
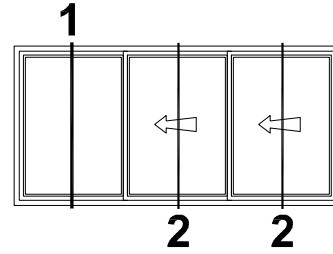
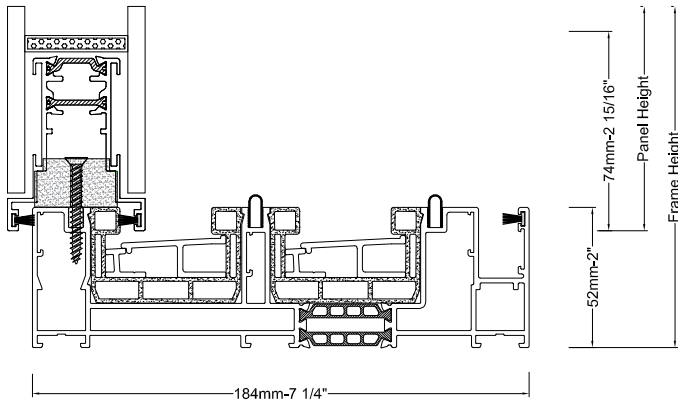
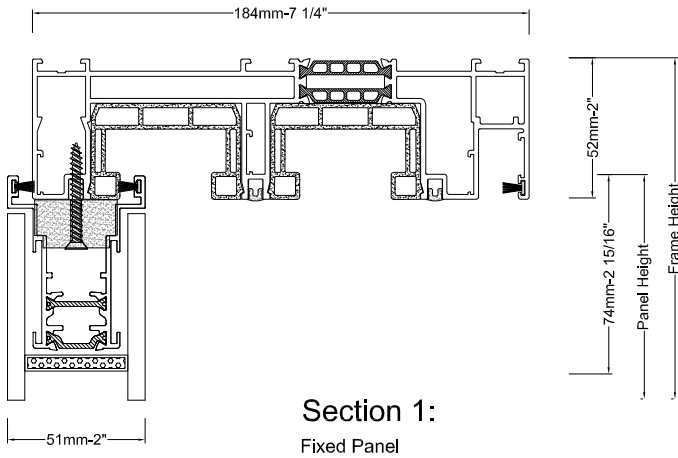
Section 4:
Interlocking Panels



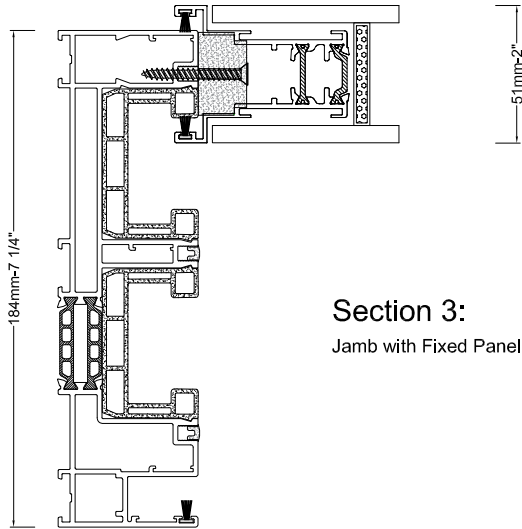
Section 5:
Jamb with Sliding Panel



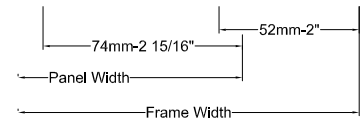
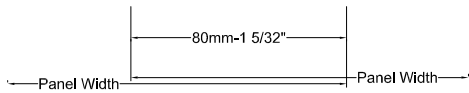
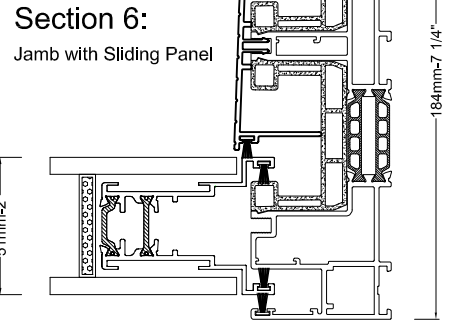
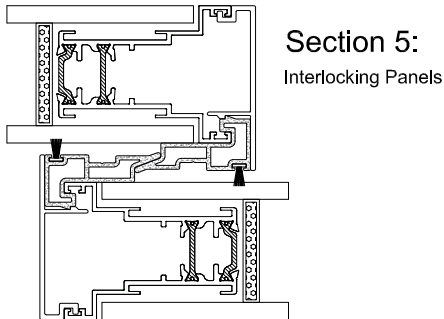
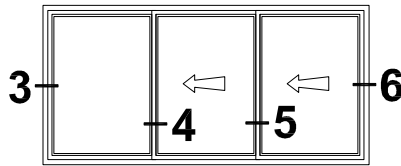
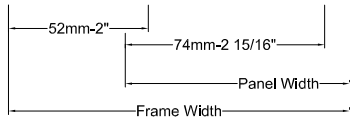
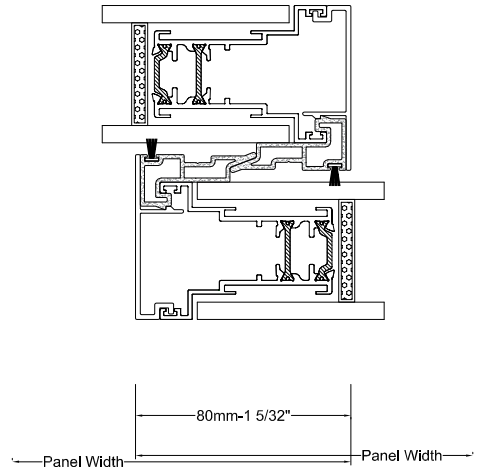
GG65 - Dual Sided GlassEdge 3 Panel Sliding Door System General Arrangement Drawings



GG65 - Dual Sided GlassEdge 3 Panel Sliding Door System General Arrangement Drawings



Section 4:
Interlocking Panels



GG65 - Dual Sided GlassEdge Trickle Vent / Cill Options General Arrangement Drawings

