

Casement Window Quotation Form v13

YOUR DETAILS

Name / Company Name:
 Address:

 Postcode:
 Email:
 Mobile: Tel/Fax:

DELIVERY REQUIREMENTS

CUSTOMER TO COLLECT: DELIVERY REQUIRED: INSTALLATION REQUIRED:
 Required Date:
 Delivery / Installation Address:
 Postcode:
 Delivery Contact: Telephone:

PROJECT DETAILS

Enquiry Date: Customer Order No: Customer Reference:
 Project Type: New Build (Document Q / Secured by Design): Refurbishment: Subject to Building Regs:

WINDOW DETAILS (we assume these options to be constant for the full order, please advise if different)

Material: Hardwood Timber: Oak (Timber): Aluminium: **Handle Type:** Locking: Non-Locking / Fire Escape:
Glazing Method: Unglazed: Temp Glazed: Fully Glazed: **Handle Colour:** White: Black: Chrome: Satin Chrome: Gold:
Energy Rating: A - C Rating: Uvalue 1.4-1.6: **Frame Colour:** Clear: Pine: New Nat Oak: Mature Oak: Antique Oak: Grandis Oak:
Space Bar Colour: White: Grey: Black: Walnut: Mahogany: Rosewood: Ebony: Dark Teak: RAL 9016: RAL 9005:
Glass Pattern: **Bespoke Frame Colour (RAL or finish):**
www.foldingslidingdoors.com/Glass_Patterns.pdf

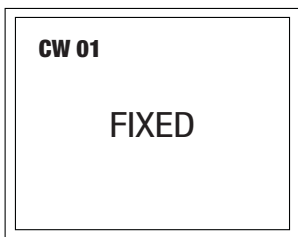
QUOTE SUMMARY: Please find a summary of your order enquiry, breakdown of prices itemised under relevant window.

Total window price:	
Installation:	
Delivery:	
VAT @20%:	
Total price including VAT@20%:	

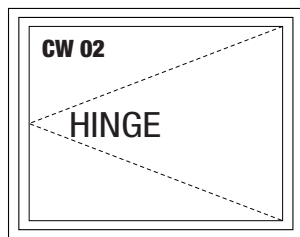
NB: ALL WINDOWS ARE VIEWED INTERNALLY

- Double Glazed units: Annealed, 4 x 16 x 4 (Timber) or 4 x 20 x 4 (Aluminium) Planitherm Total +, Argon & Super Spacer, 1.41w/m2K, A Rating
- Glazing upgrade: Toughened, 4(T) x 16 x 4(T) (Timber) or 4(T) x 20 x 4(T) (Aluminium) Planitherm Total +, Argon & Super Spacer, 1.41w/m2K, A Rating
- Glazing upgrade: Laminated, 6.4 Clear Lam x 16 x 4(T) (Timber) or 6.4 Clear Lam x 20 x 4(T) (Aluminium) Planitherm Total +, Argon & Super Spacer, 1.41w/m2K, A Rating
- Hinges: An Easiclean hinge is also known as an Egress hinge. If casement is required as a Fire Escape then hinges are automatically assigned as Easiclean /Egress (opens 90 degrees).

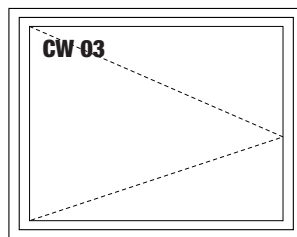
POPULAR CASEMENT STYLES, please choose and enter further instructions (please TICK options) relating to your product(s)



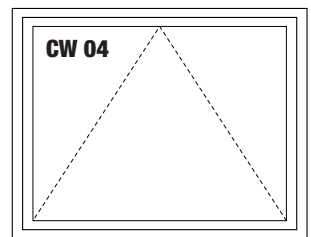
CW 01
FIXED
 Location
 Qty Nett price (£)
 Width (mm)
 Height (mm)
 Mullion Width (mm)
 Transom Drop (mm)
 Cill (mm): No 150 190
 Fitting: Flush Check Through
 Add-On(s): No Top Bottom
 Left Right
 Fire Escape: N/A
 Hinge: N/A
 Toughened: Yes No
 Laminated: Yes No
 Trickle Vents: No Add-on Frame
 Glass Pattern: Yes No
 Notes



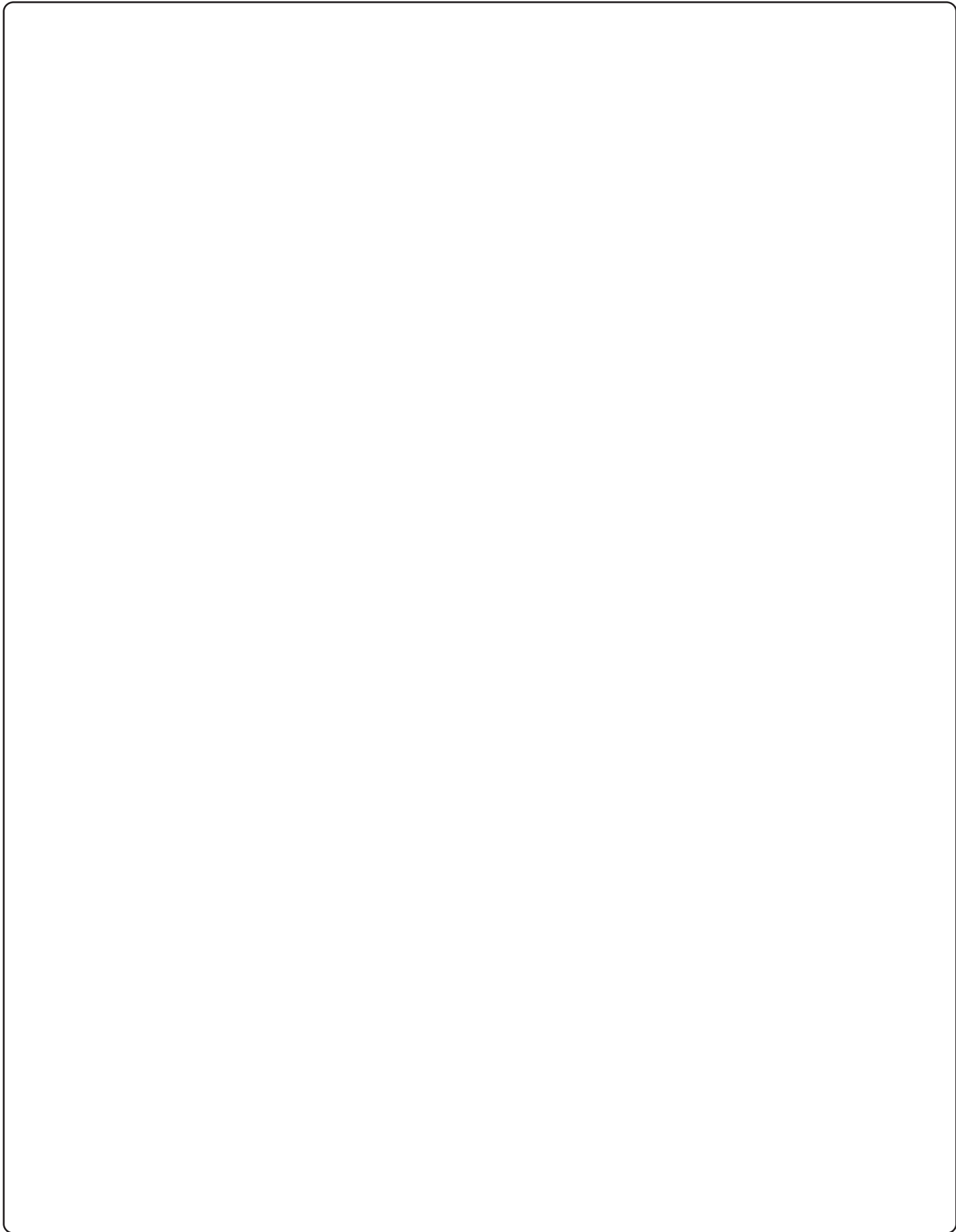
CW 02
HINGE
 Location
 Qty Nett price (£)
 Width (mm)
 Height (mm)
 Mullion Width (mm)
 Transom Drop (mm)
 Cill (mm): No 150 190
 Fitting: Flush Check Through
 Add-On(s): No Top Bottom
 Left Right
 Fire Escape: Yes No
 Hinge: Easiclean Standard Restrictor
 Toughened: Yes No
 Laminated: Yes No
 Trickle Vents: No Add-on Frame
 Glass Pattern: Yes No
 Notes



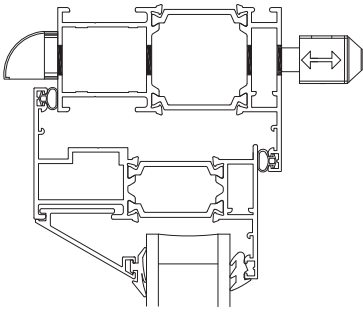
CW 03
CW 03
 Location
 Qty Nett price (£)
 Width (mm)
 Height (mm)
 Mullion Width (mm)
 Transom Drop (mm)
 Cill (mm): No 150 190
 Fitting: Flush Check Through
 Add-On(s): No Top Bottom
 Left Right
 Fire Escape: Yes No
 Hinge: Easiclean Standard Restrictor
 Toughened: Yes No
 Laminated: Yes No
 Trickle Vents: No Add-on Frame
 Glass Pattern: Yes No
 Notes



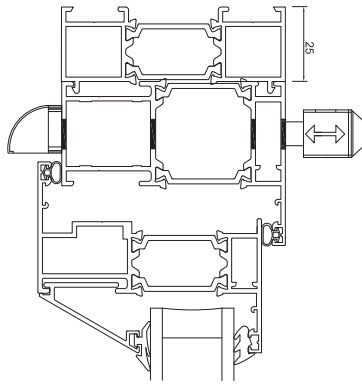
CW 04
CW 04
 Location
 Qty Nett price (£)
 Width (mm)
 Height (mm)
 Mullion Width (mm)
 Transom Drop (mm)
 Cill (mm): No 150 190
 Fitting: Flush Check Through
 Add-On(s): No Top Bottom
 Left Right
 Fire Escape: Yes No
 Hinge: Easiclean Standard Restrictor
 Toughened: Yes No
 Laminated: Yes No
 Trickle Vents: No Add-on Frame
 Glass Pattern: Yes No
 Notes



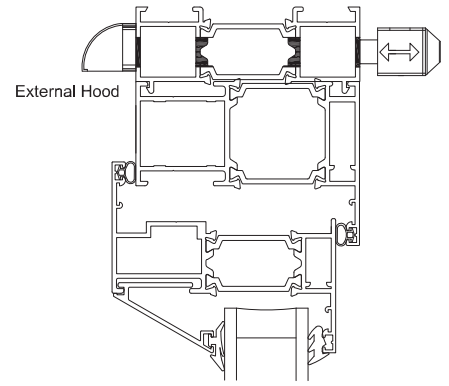
TRICKLE VENTILATION OPTIONS:



FRAME ONLY
Trickle Vent within Frame

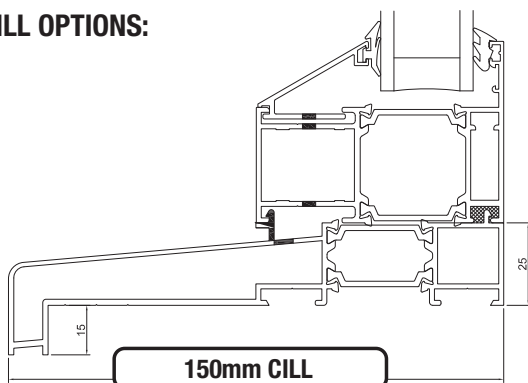


FRAME + ADD-ON
Trickle Vent within Frame

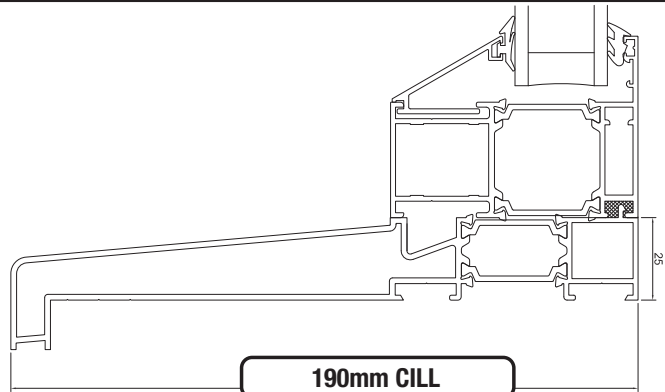


FRAME + ADD-ON
Trickle Vent within Add-On

CILL OPTIONS:

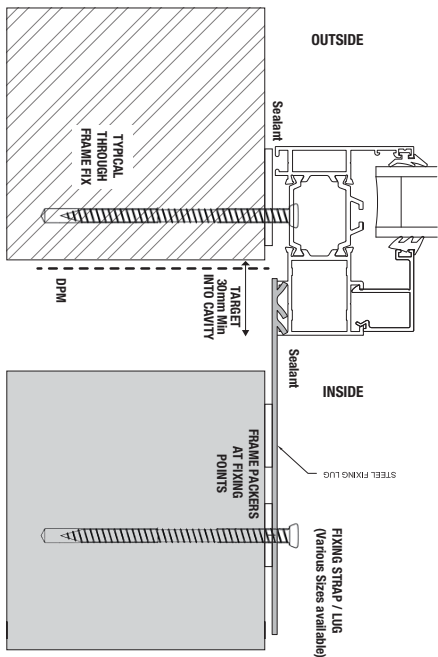


150mm CILL

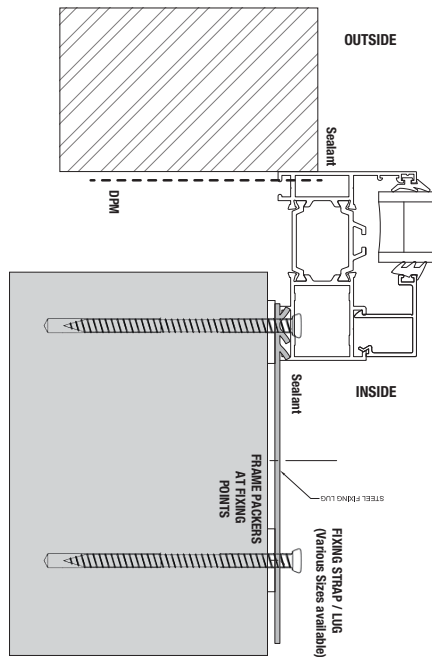


190mm CILL

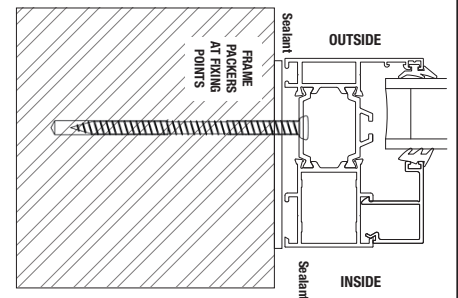
FITTING OPTIONS (TYPICAL JAMB DETAIL):



FLUSH REVEAL
TYPICAL JAMB DETAIL



CHECK REVEAL
TYPICAL JAMB DETAIL



THROUGH FRAME
TYPICAL JAMB DETAIL